

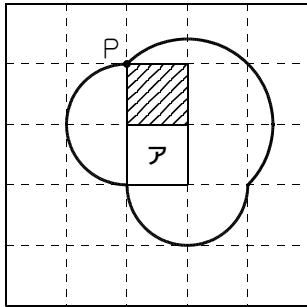
解答

① (1) 3, 20, 21, 128

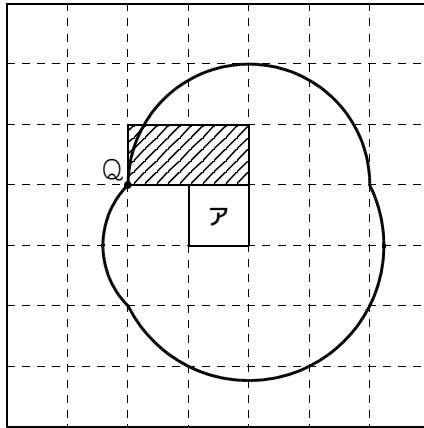
(2)① $\frac{5}{6}\text{cm}^3$ ② $\frac{5}{36}\text{cm}^3$

(3)① 9個 2023, 3220 ② ア 169 イ 670

②(1) 8.28cm^2

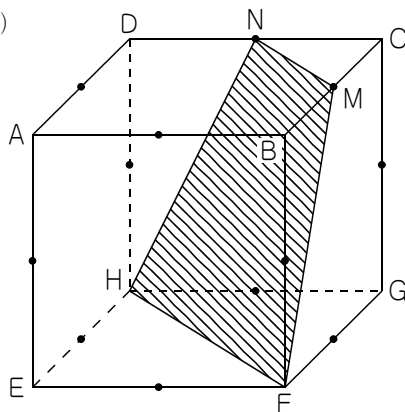


(2) 18.7cm^2



③(1) 2485 (2) (3, 30), (12, 32), (33, 44), (37, 47), (63, 69)

④(1) 153cm^3



(2) $134\frac{2}{3}\text{cm}^3$

